

INTERPRET DRAWING IN ACCORDANCE WITH ANSI/ASME Y14.5M-1994

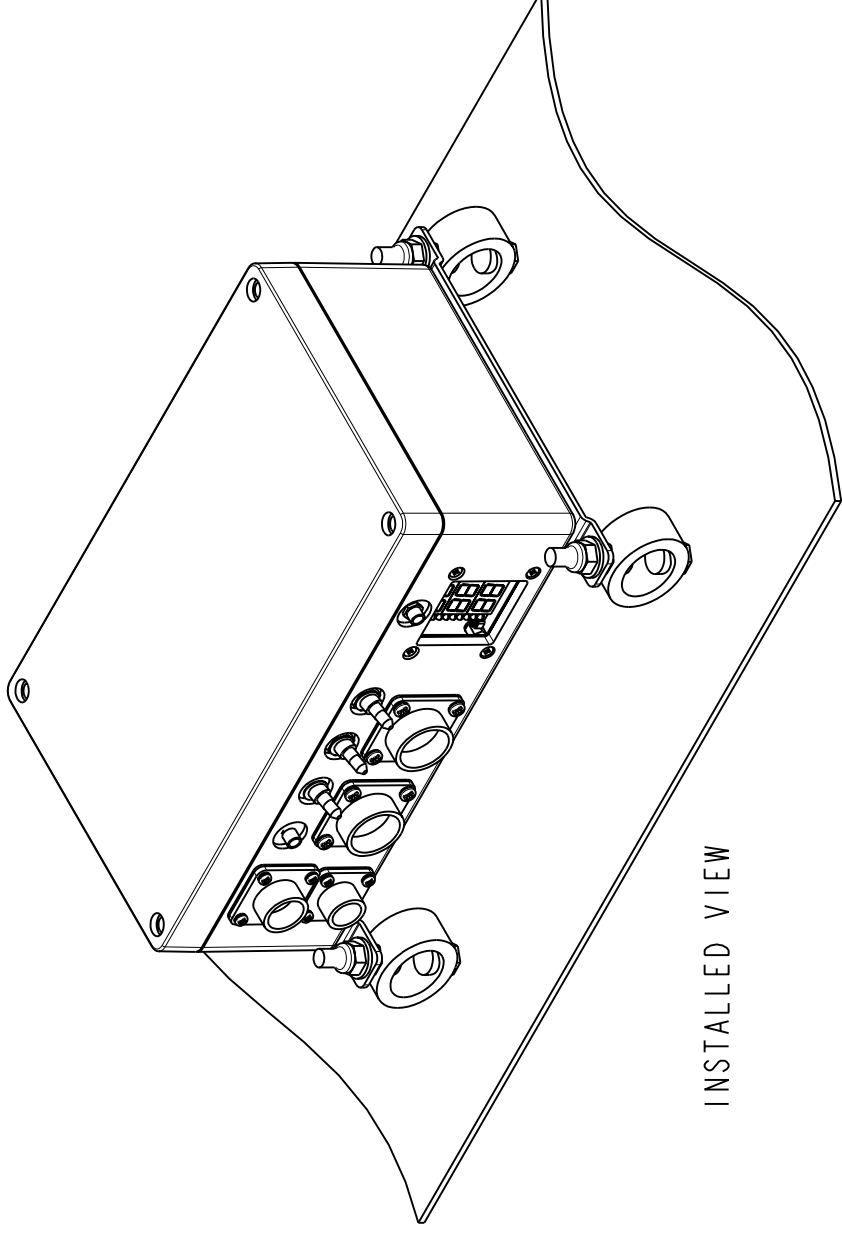
DWG. NO. DRG SR Rx 010

REV P4

INSTALLATION INSTRUCTIONS:

1. REFER TO SHEET 3 FOR ALL MOUNTING DIMENSIONS AND PARAMETERS.
2. MOUNT THE UNIT IN A PROTECTED AREA OF THE VEHICLE, AWAY FROM ALL HEAT SOURCES AND SOURCES OF ELECTROMAGNETIC INTERFERENCE. (FOR EXAMPLE: ENGINE ELECTRICS, HIGH POWER ACTUATORS, MOTORS, ETC.)
3. UNIT MUST BE MOUNTED HORIZONTALLY USING ALL 4 SHOCK ISOLATION MOUNTS
4. THIS UNIT REQUIRES ADEQUATE VENTILATION. DO NOT INSTALL IN A CLOSED LOCATION OR OTHER ENCLOSURE.
5. MOUNTING LOCATION MUST ALLOW CLEAR VISIBILITY OF STATUS DISPLAY AND ALLOW ACCESS AND OPERATION OF ALL FRONT PANEL SWITCHES.
6. ALLOW 6 INCHES OF CLEARANCE IN FRONT OF UNIT FOR CABLE CONNECTIONS.
7. ALLOW 1 INCH OF CLEARANCE ON ALL SIDES FOR UNIT TO FLEX ON FLEX MOUNTS UNDER DYNAMIC ACCELERATION.
8. RECEIVER UNIT WEIGHT, LESS CABLES IS APPROXIMATELY 8 1/2 POUNDS.

REVISIONS			
ZONE	REV	DESCRIPTION	DATE
	P1	FIRST PRELIMINARY DESIGN	8/7/03
	P2	CHANGED MOUNTS AND HARDWARE	8/18/03
	P3	CHANGED DWG NUMBER TO DGR SR Rx 010 ADDED NOTE 7 AND 8, SHT 1; CHANGED NOTE 6 CLEARANCE TO 6 INCHES, SHT 1; CHANGED TOP CLEARANCE NOTE TO 1 INCH, SHT 3;	9/03/03
	P4	UPDATED PARTS LIST, SHEET 2	9/17/03



INSTALLED VIEW

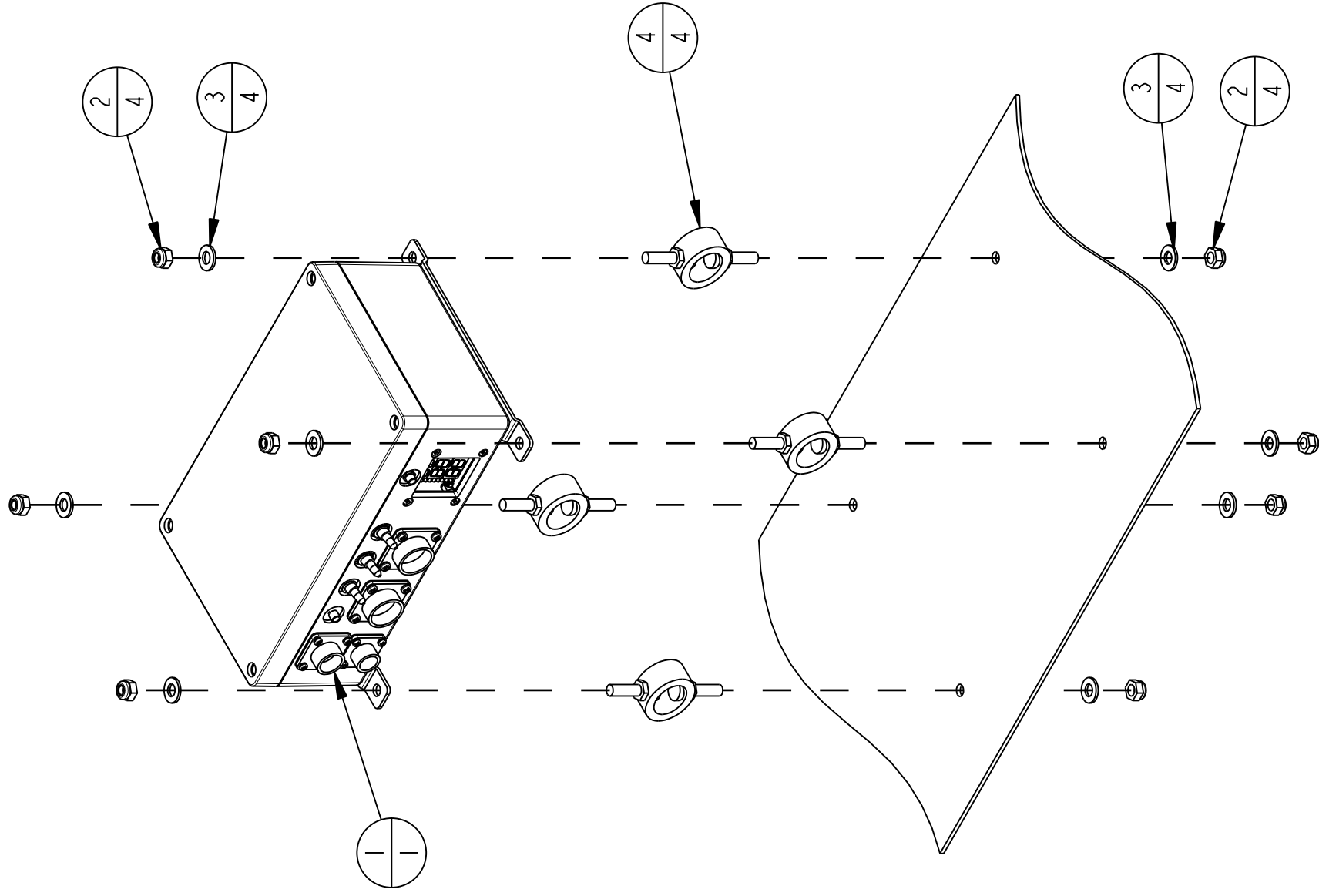
SEE EXPLODED VIEW AND PARTS LIST - SHEET 2

QTY	UM	CAGE CODE	PART OR IDENTIFYING NO.	NOMENCLATURE OR DESCRIPTION	MATERIAL SPECIFICATION	FIND NO.
PARTS LIST						
UNLESS OTHERWISE SPECIFIED DIMENSIONS ARE IN INCHES. TOLERANCES AS SHOWN						
		DECIMALS	0.1	0.02	0.010	ANGULAR
			±.X	±.XX	±.XXX	±0.5°
MACHINED SURFACES 125°						
● DO NOT SCALE DRAWING						
● DEBURR ALL SHARP EDGES .003"-.015						
APPROVALS						
		DRAFT:	R. L. WARE	DATE	8/7/03	
		CHECK:				
		DESIGN:	D. PARISH	DATE	7/30/03	
		USED ON				
		APPLICATION				
		CONTRACT:				
		SIZE	CAGE CODE	DWG. NO.		REV
		B	1M7P5	DRG SR Rx 010		P4
		SCALE	NONE	UNIT WT		SHEET
						1 of 3

OMNITECH ROBOTICS INTERNATIONAL LLC
2630 S. RARITAN CIRCLE
ENGLEWOOD, COLORADO 80110-1147

TITLE
VEHICLE INSTALLATION, SAFETY
RADIO RECEIVER, DGC

THIS DOCUMENT AND THE INFORMATION AND/OR DESIGNS CONTAINED HEREIN ARE THE PROPERTY OF OMNITECH ROBOTICS INTERNATIONAL LLC. THE USE OF THE INFORMATION OR THE DESIGNS OR THE PRODUCTION OF PARTS OR ASSEMBLIES WITHOUT THE WRITTEN CONSENT OF OMNITECH ROBOTICS INTERNATIONAL LLC.

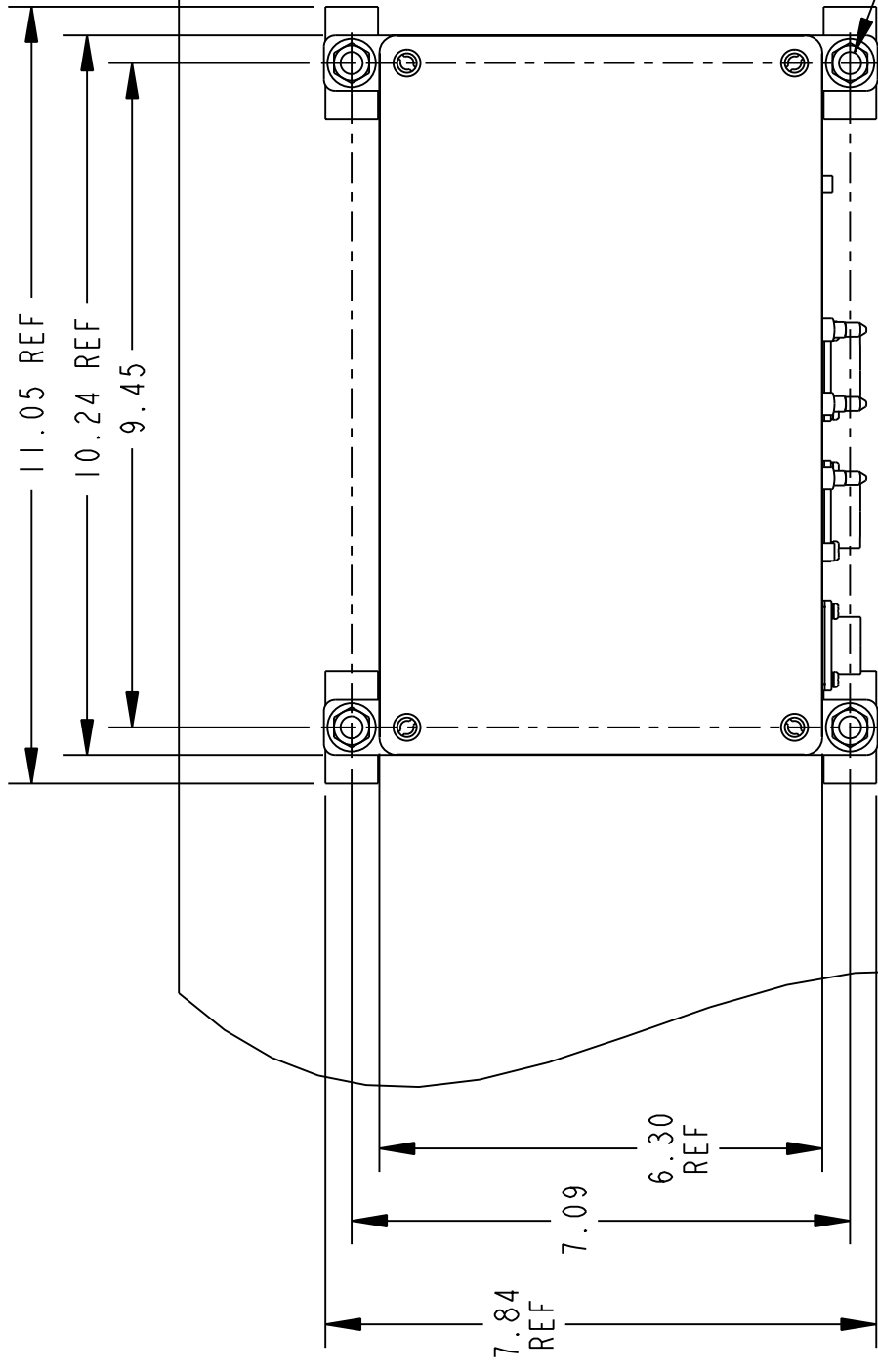


4	EA	MCMaster	5822K11	MOUNT, SHOCK ISOLATION, 5/16-18 CENTER MTG	4
8	EA	MCMaster	98023A030	WASHER, FLAT, SAE, 5/16, STL-ZINC	3
8	EA	MCMaster	95615A160	NUT, 5/16-18, LOCK, NYLON INSERT, GRD 5, STL-ZINC	2
1	EA	ORI	DGC-009	RECEIVER, SINGLE VEHICLE, SAFETY RADIO, DGC	1
	UM				
	QTY REQD	CAGE CODE	PART OR IDENTIFYING NO.	NOMENCLATURE OR DESCRIPTION	MATERIAL SPECIFICATION NO.

PARTS LIST

THIS DOCUMENT AND THE INFORMATION AND/OR DESIGNS CONTAINED HEREIN ARE THE PROPERTY OF OMNITECH ROBOTICS INTERNATIONAL LLC. THE USE OF THE INFORMATION FOR THE DESIGN, PRODUCTION OF THIS PRODUCT OR THE DESIGN, PRODUCTION OF THE WRITTEN CONTENT OF OMNITECH ROBOTICS INTERNATIONAL LLC.

SIZE	CAGE CODE	DMG. NO.	REV
B	1M7P5	DRG SR Rx 010	P4
SCALE	UNIT WT	SHEET	
NONE		2	

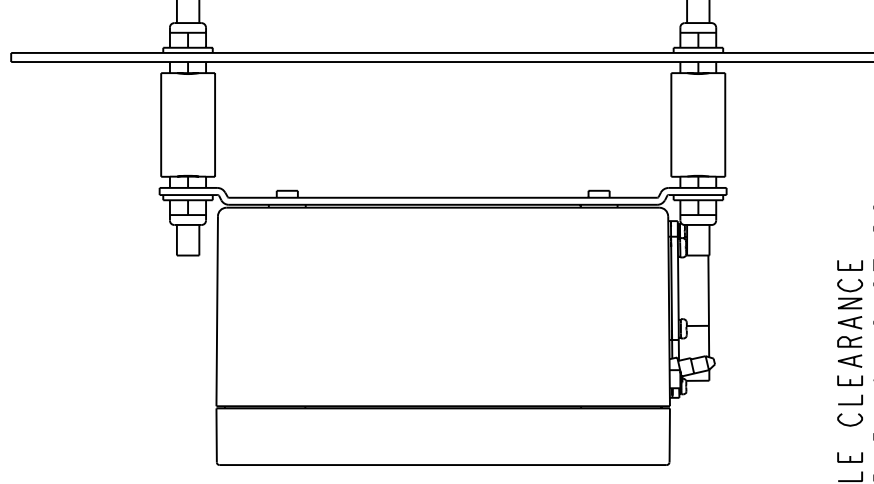
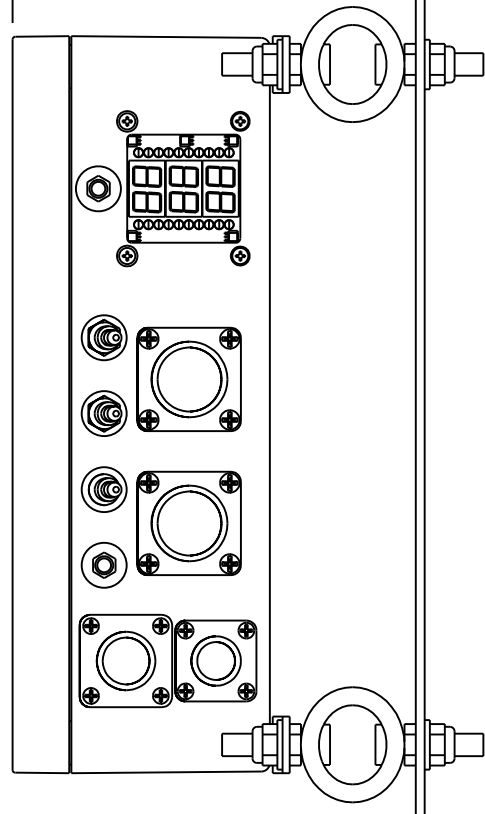


DRILL 4 HOLE CLEARANCE
PATTERN FOR 5/16-18 STUDS
RECOMMENDED HOLE DIA .332
4 MOUNTS

VEHICLE MOUNTING
SURFACE

5.60

ALLOW 1 INCH CLEARANCE ABOVE THIS
DIMENSION FOR SHOCK MOUNT EXTENSION
AND VENTILATION



SCALE 3:8

THIS DOCUMENT AND THE INFORMATION AND/OR DESIGNS
CONTAINED HEREIN ARE THE PROPERTY OF OMNITECH
ROBOTICS INTERNATIONAL LLC. THE USE OF THE
INFORMATION OR THE DESIGNS FOR THE PRODUCTION OF
ANY PARTS OR THE ASSEMBLY OF ANY PARTS WITHOUT
THE WRITTEN CONSENT OF OMNITECH ROBOTICS
INTERNATIONAL LLC.

SIZE	CAGE CODE	DRG. NO.	REV
B	1M7P5	DRG SR Rx 010	P4
SCALE	UNIT WT	LBS	SHEET
NONE			3